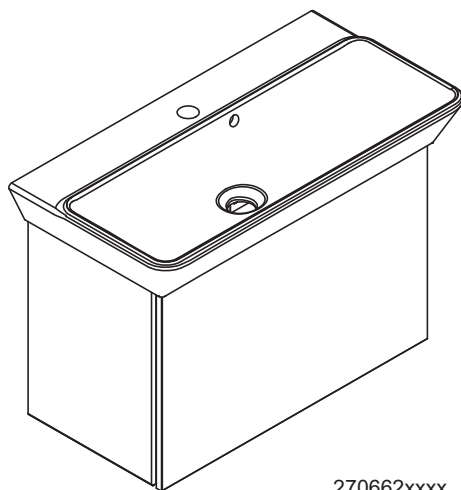




DANSANI®



270662xxxx

270662xxxx

10x



5-500

2x



05914090

10x



5,0-60SU

4x



640001242

2x



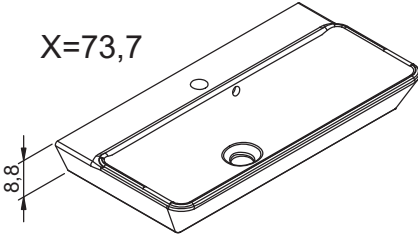
190040770

2x

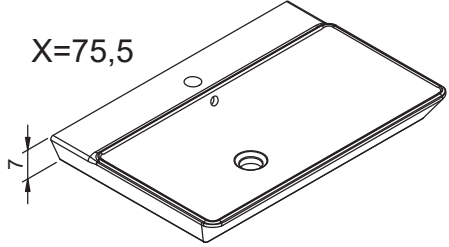


195000000

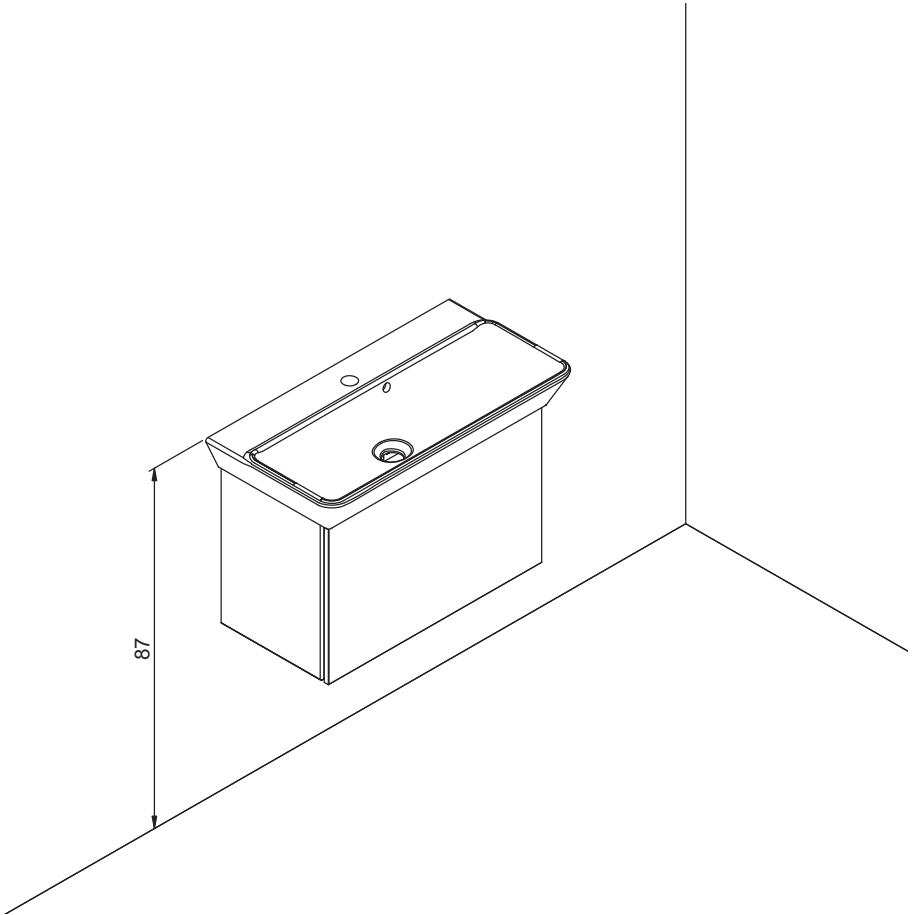
$X=73,7$



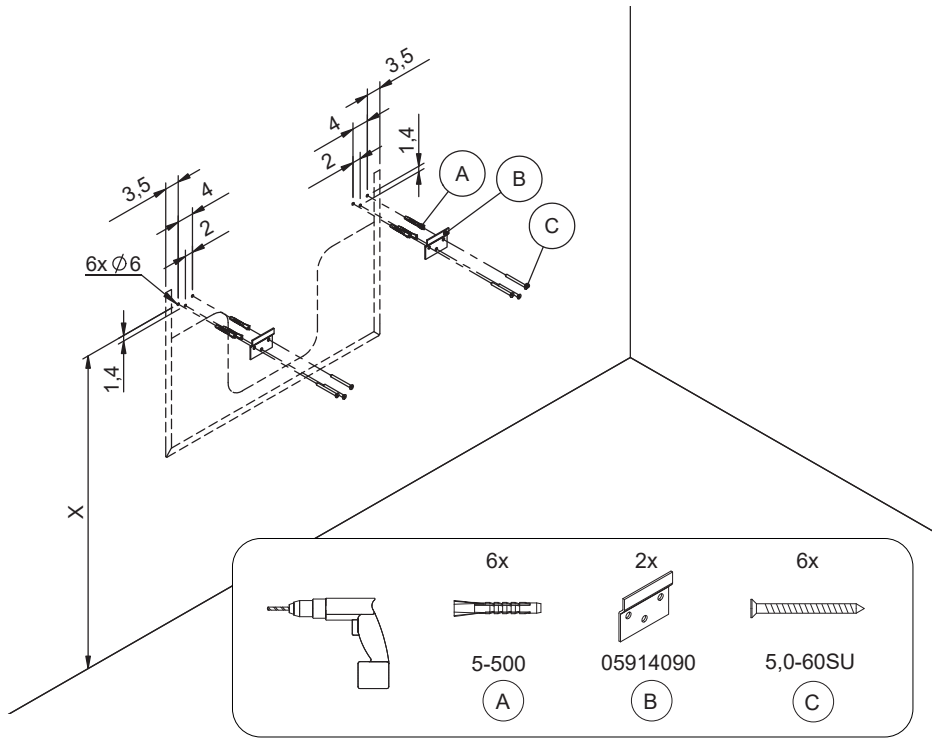
$X=75,5$



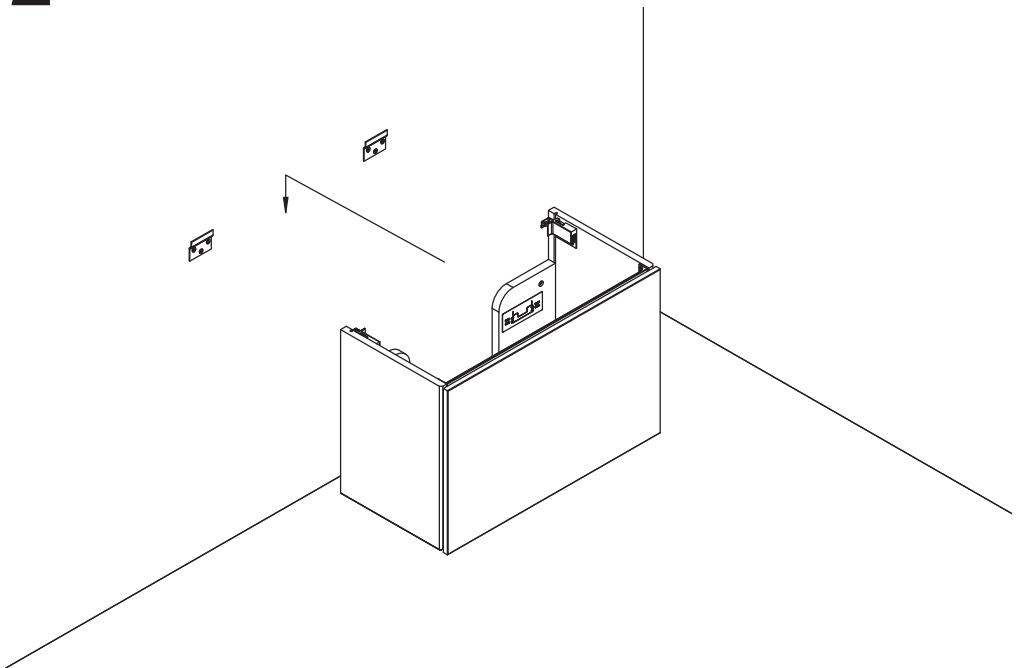
87



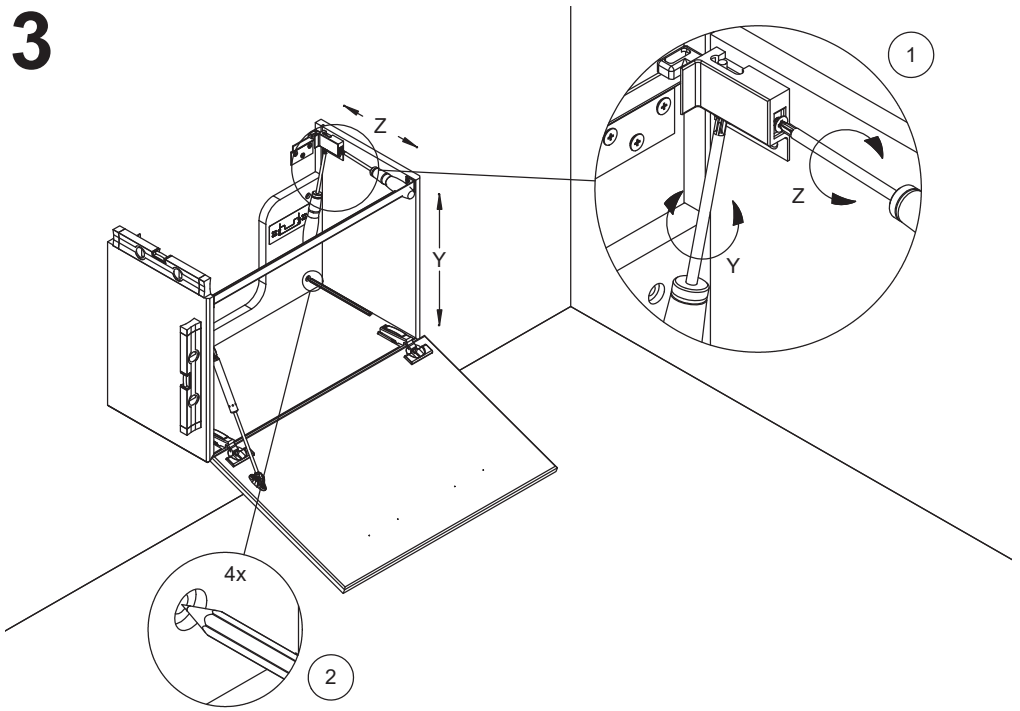
1



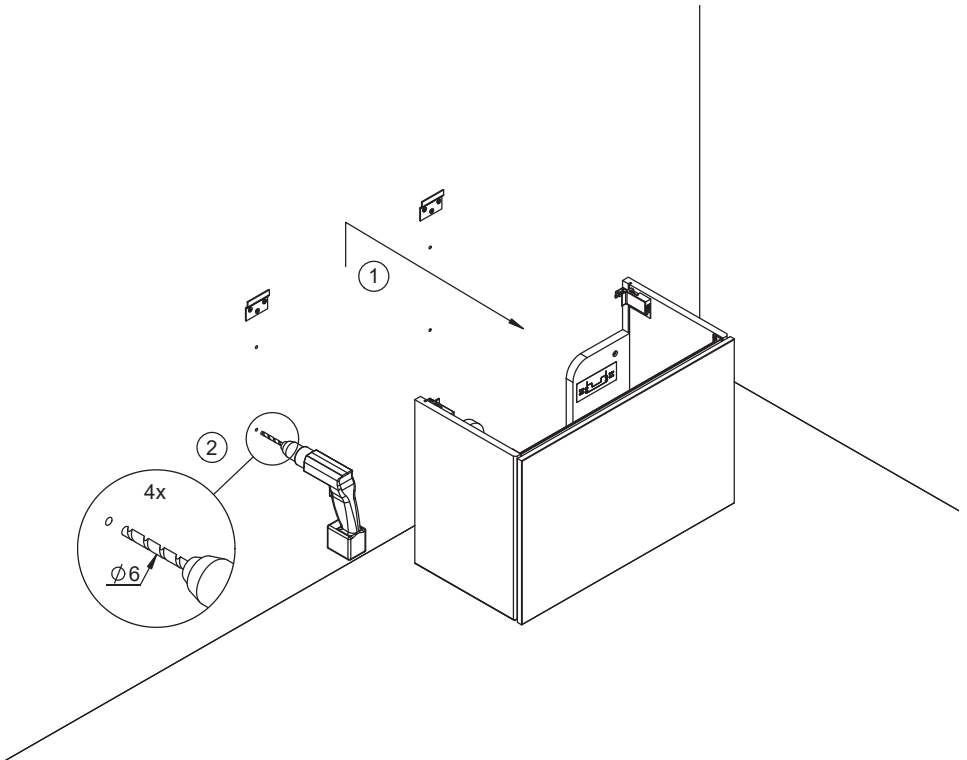
2



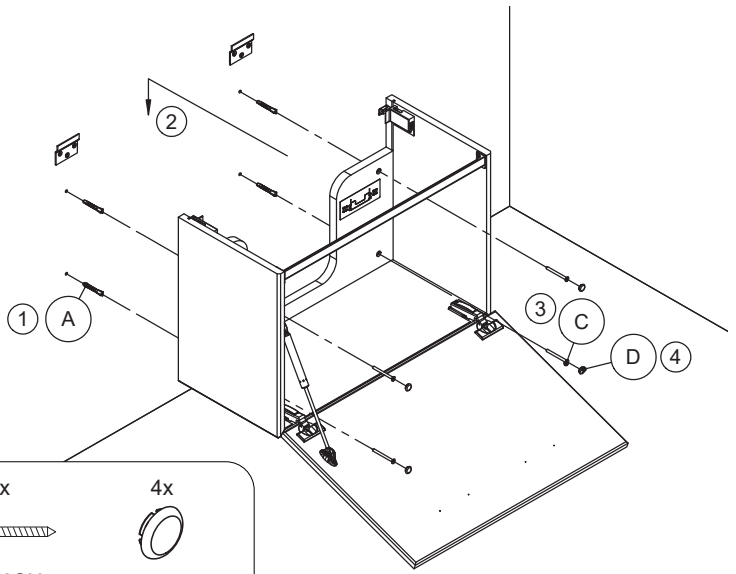
3






4

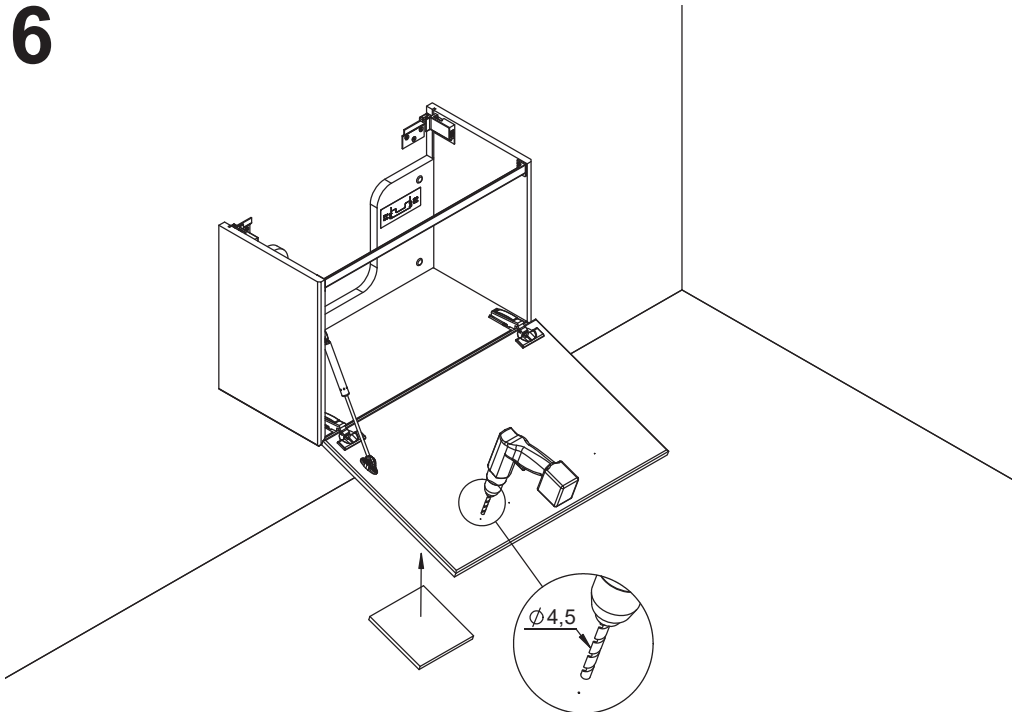


5

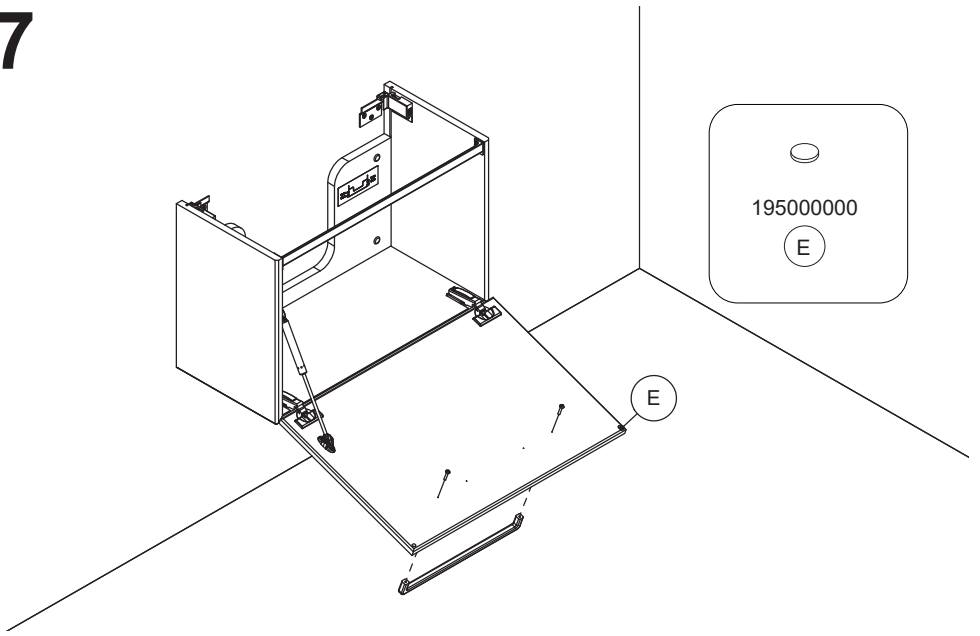


4x	4x	4x
		
5-500	5,0-60SU	640001242
(A)	(C)	(D)

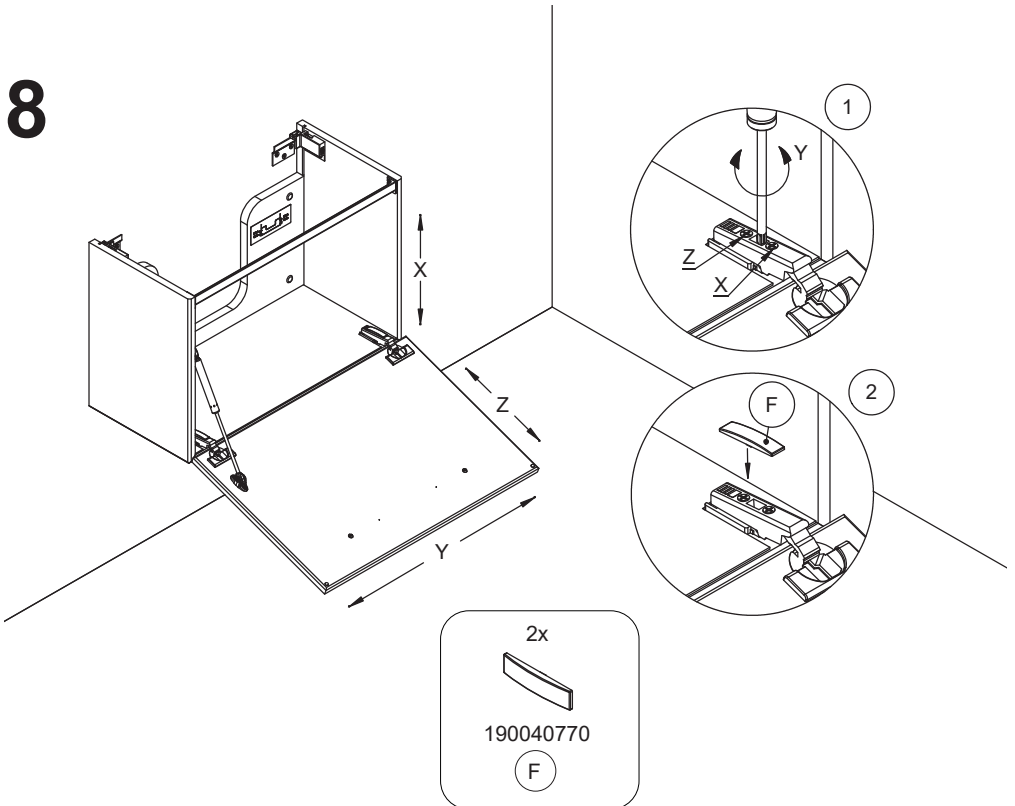
6



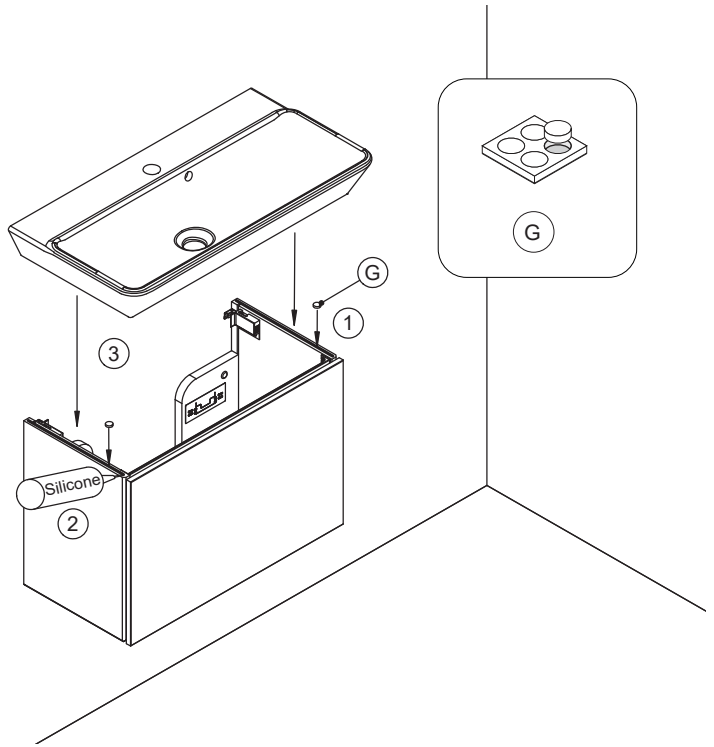
7



8



9



10

